

X324

4-channel D/A (0 ~ 5V) and 4-channel D/O

Features

- 4-channel Non-Isolation Analog Output and 4-channel Non-Isolation Digital Output
- 12-bit output (0 ~ 5 VDC)



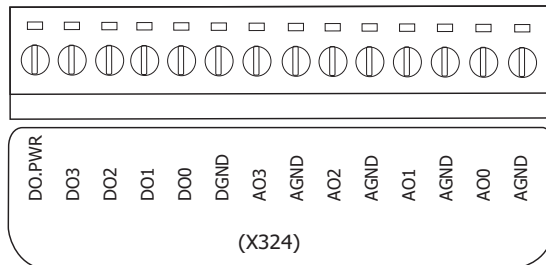
Introduction

The X-board series are for I-7188XA, I-7188XB, I-7188XC, I-7188XG, I-7188EG, I-7188EX and uPAC-7186EX Series (uPAC-7186EX, uPAC-7186PEX, uPAC-7186EG, uPAC-7186EX-FD, uPAC-7186EX-SM).

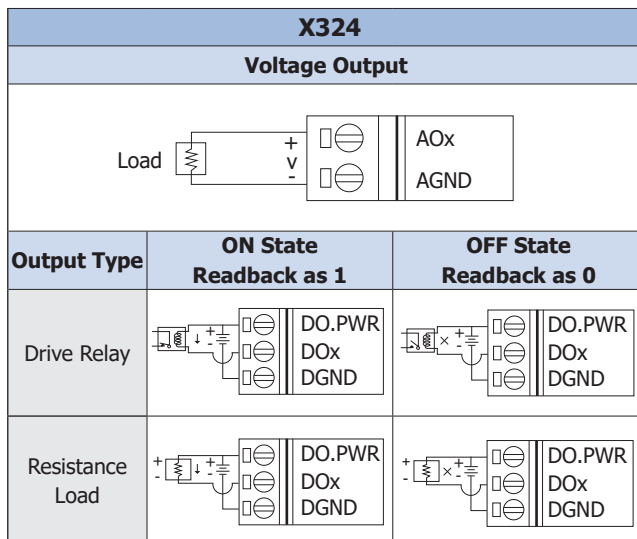
Above one μ PAC can plug only one X-board.

X324 is a 4-channel Non-Isolation Analog Output and 4-channel Non-Isolation Digital Output X-board for I-7188XB, I-7188XG, I-7188EX, I-7188EG and uPAC-7186EX Series.

Pin Assignments



Wire Connections



Specifications

Analog Input	
Channels	4
Type	Voltage
Range	0 ~ +5 V
Resolution	12-bit
Isolation	None
Digital Output	
Channels	4
Type	Open Collector (NPN)
Load Voltage	$\leq +30$ VDC
Max. Load Current	100 mA
Isolation	None
Mechanical	
Dimensions (mm)	38 mm x 64 mm
Environmental	
Operating Temperature	-25 ~ +75 °C
Storage Temperature	-40 ~ +80 °C
Humidity	5 ~ 90 %, Non-condensing

Ordering Information

X324 CR	4-channel D/A (0 ~ 5V) and 4-channel D/O (RoHS)
----------------	---